
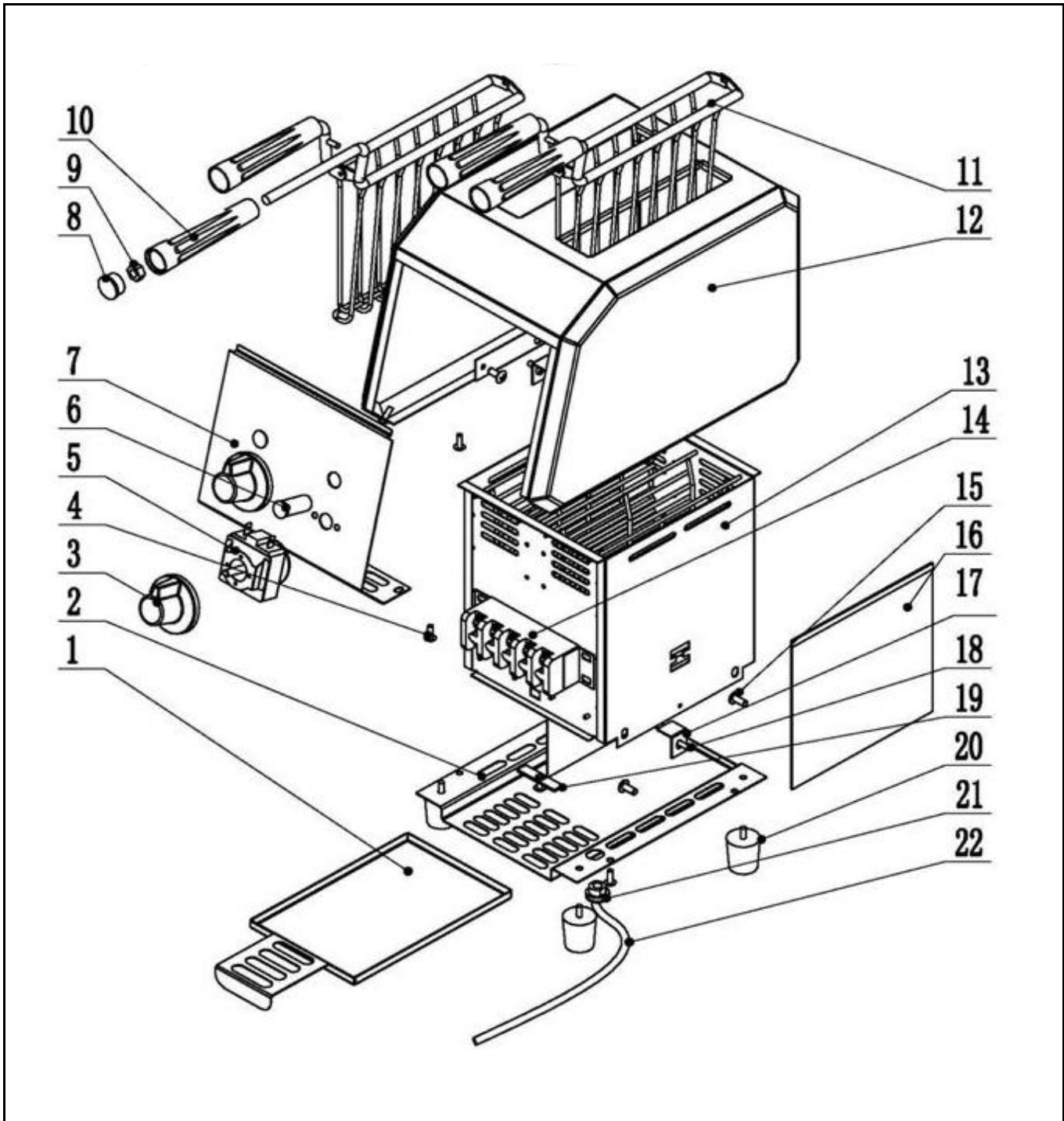



Drawing

 <p>Hendi B.V. Steenoven 21 3911 TX Rhenen The Netherlands</p>	Batch #	Appliance part#
	301216 and up	261163
	Description	
	Toaster	

Date	29-05-2013	Revision #	Revision version 1,1
Revision	New timer 8 of minutes.		



Circuit diagram

 Hendi B.V. Steenoven 21 3911 TX Rhenen The Netherlands	Batch #	Appliance part#
	301216 and up	261163
	Description	
	Toaster	

Date	29-05-2013	Revision #	Revision version 1,1
Revision	New timer 8 of minutes.		

